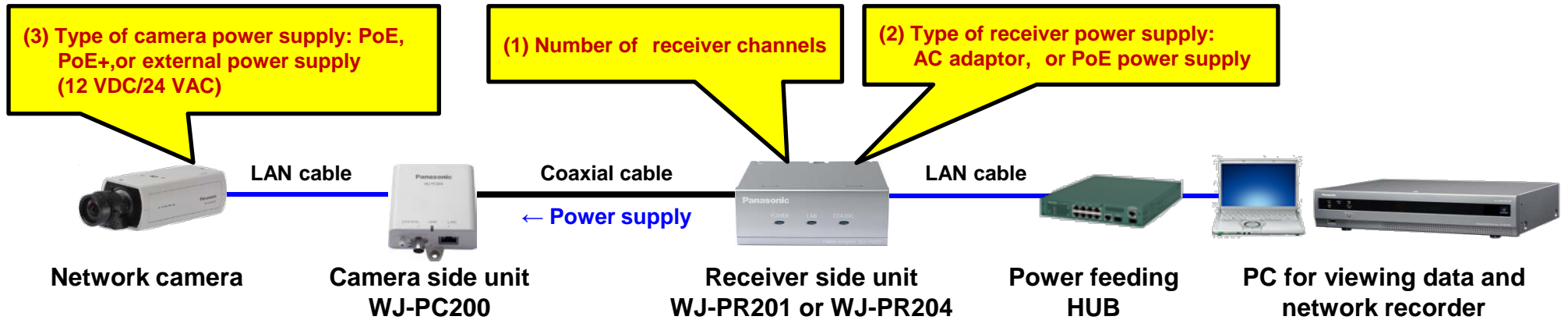


Connection Patterns and Precautions (Power Supply and Cable Length)

Specify the following conditions (1), (2), and (3) to select a pattern.

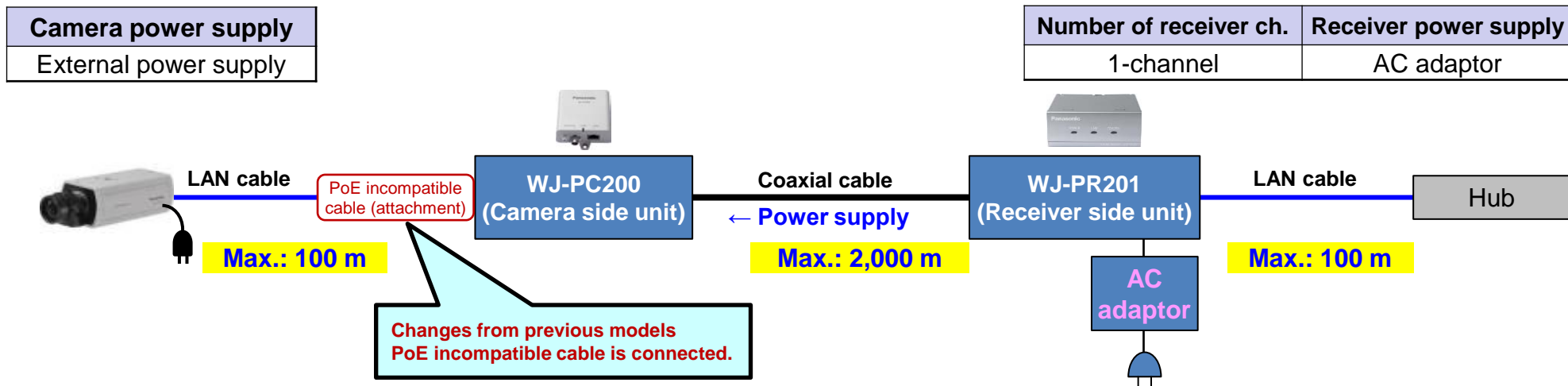


■ Connection pattern list by condition (refer to the following pages for details.)

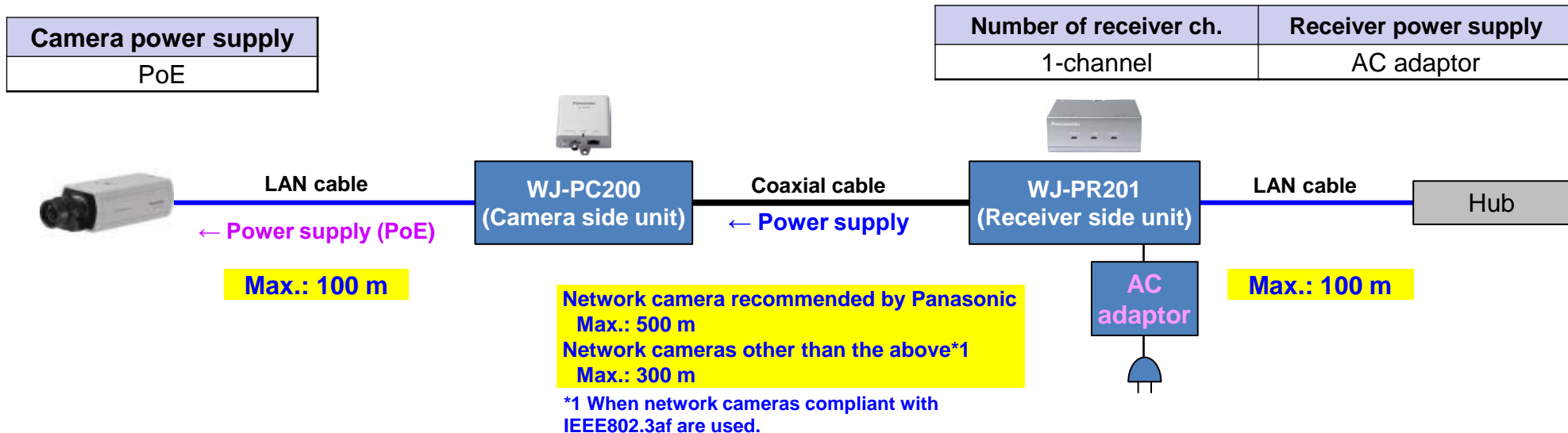
(1) Number of receiver ch.	(2) Receiver side unit power supply	(3) Camera power supply	Connection pattern
1-channel	AC adaptor	External power supply (12 VDC/24 VAC)	A (Equivalent to BY-HPE11KT (Discontinued))
		PoE	B (Equivalent to BY-HPE11KT (Discontinued))
		PoE+	C (New feature)
	PoE power supply	External power supply (12 VDC/24 VAC)	D (New feature)
		PoE (6.5 W or less)	E (New feature)
4-channel	AC adaptor	External power supply (12 VDC/24 VAC)	F (New feature)
		PoE/PoE+	G (New feature)
	PoE power supply	External power supply (12 VDC/24 VAC)	H (New feature)
		PoE/PoE+	This connection is not available.

Connection Pattern: A, B (Equivalent to BY-HPE11KT (Discontinued))

● [Pattern A] Receiver side unit: External power supply, Camera: External power supply



● [Pattern B] Receiver side unit: External power supply, Camera: PoE power supply

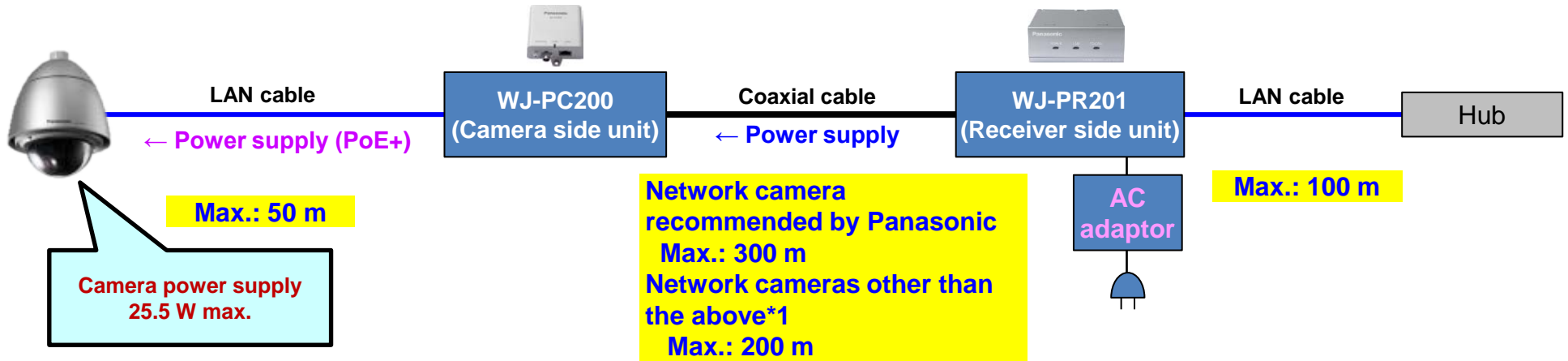


Connection Pattern: C (New Feature)

● [Pattern C] Receiver side unit: External power supply, Camera: PoE+ power supply

Camera power supply
PoE+

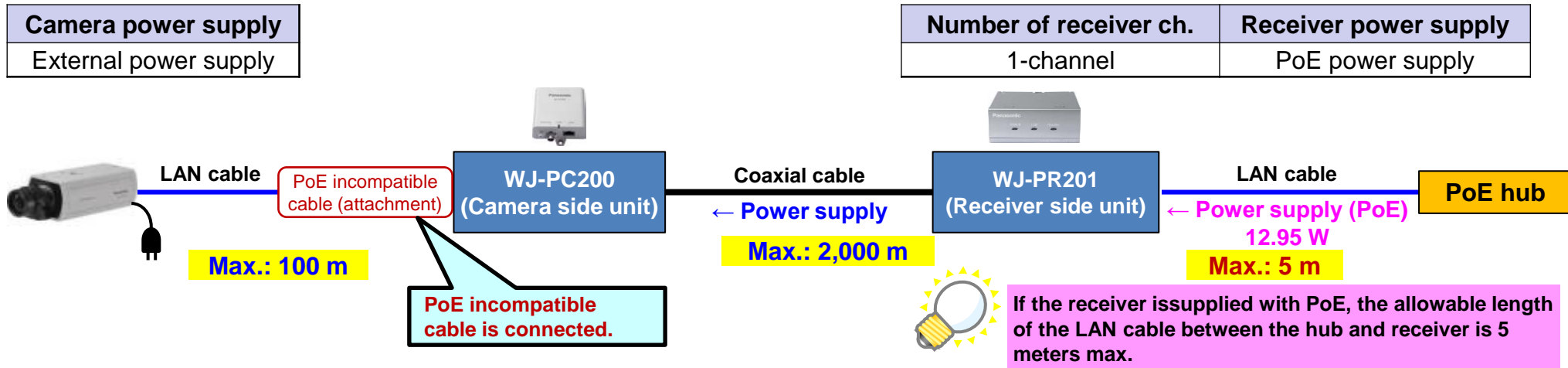
Number of receiver ch.	Receiver power supply
1-channel	AC adaptor



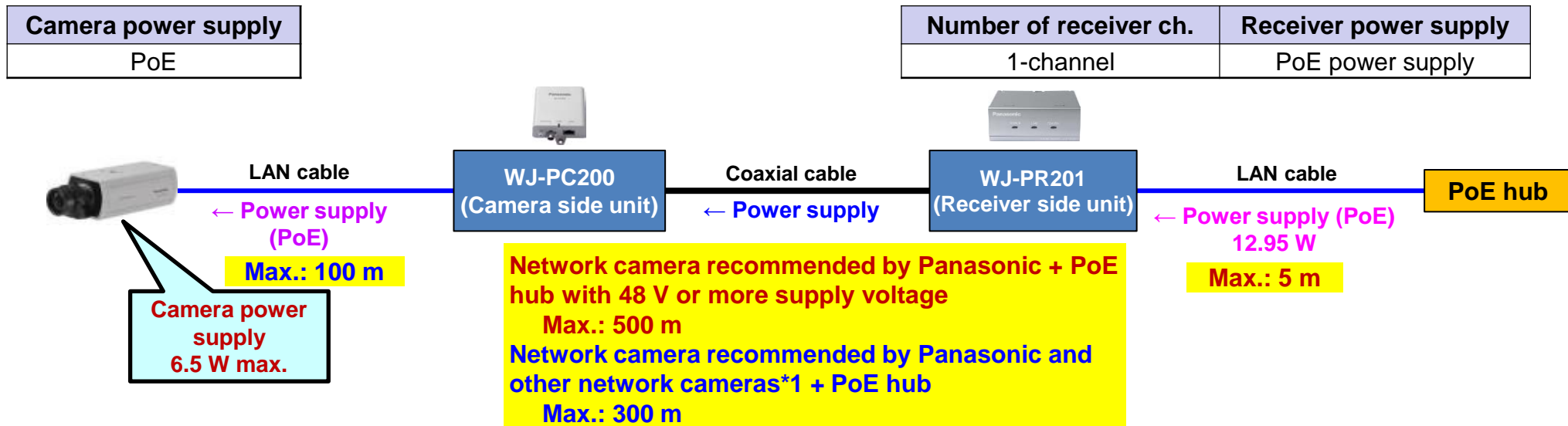
*1 When network cameras compliant with IEEE802.3at are used.

Connection Pattern: D, E (New Features)

● [Pattern D] Receiver side unit: PoE power supply, Camera: External power supply



● [Pattern E] Receiver side unit: PoE power supply, Camera: PoE power supply



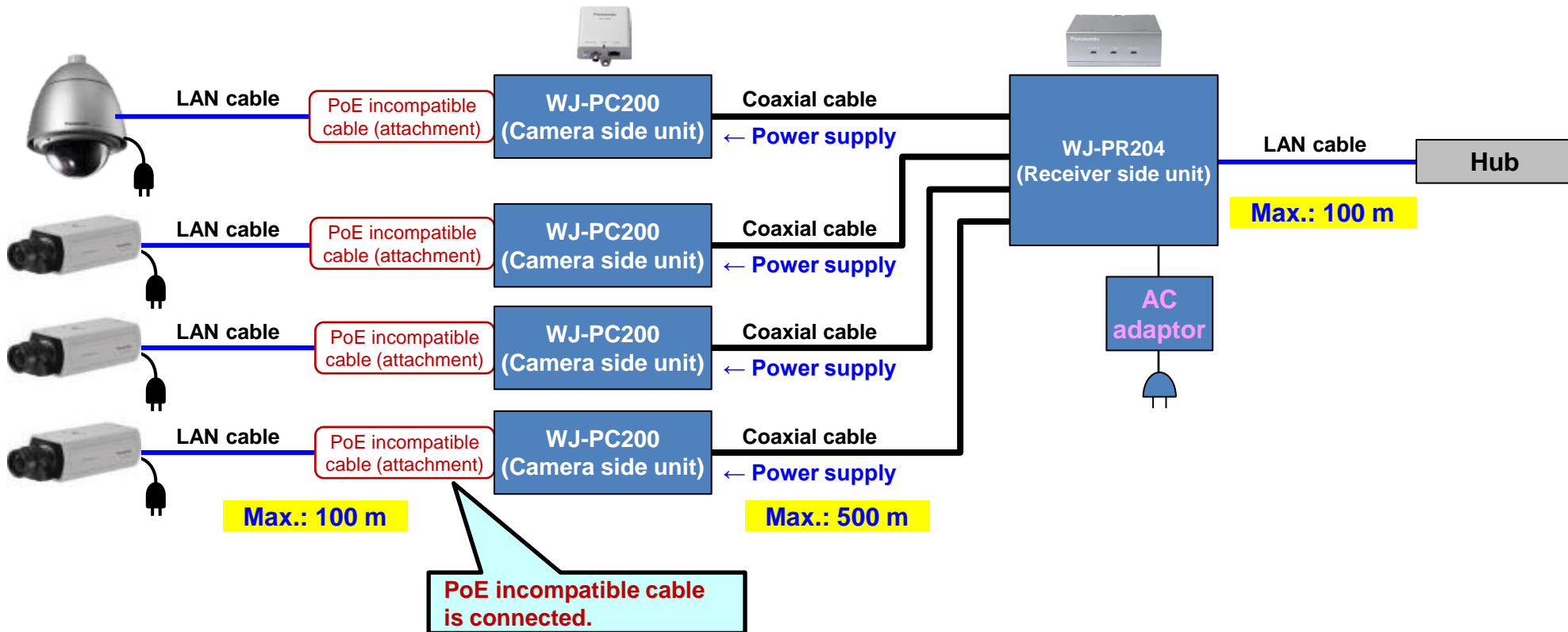
*1 When network cameras compliant with IEEE802.3af are used.

Connection Pattern: F (New Feature)

● [Pattern F] Receiver side unit: External power supply, Camera: External power supply

Camera power supply
External power supply

Number of receiver ch.	Receiver power supply
4-channel	AC adaptor



If the total power consumption of cameras exceeds **40 W**, this pattern should be adopted.



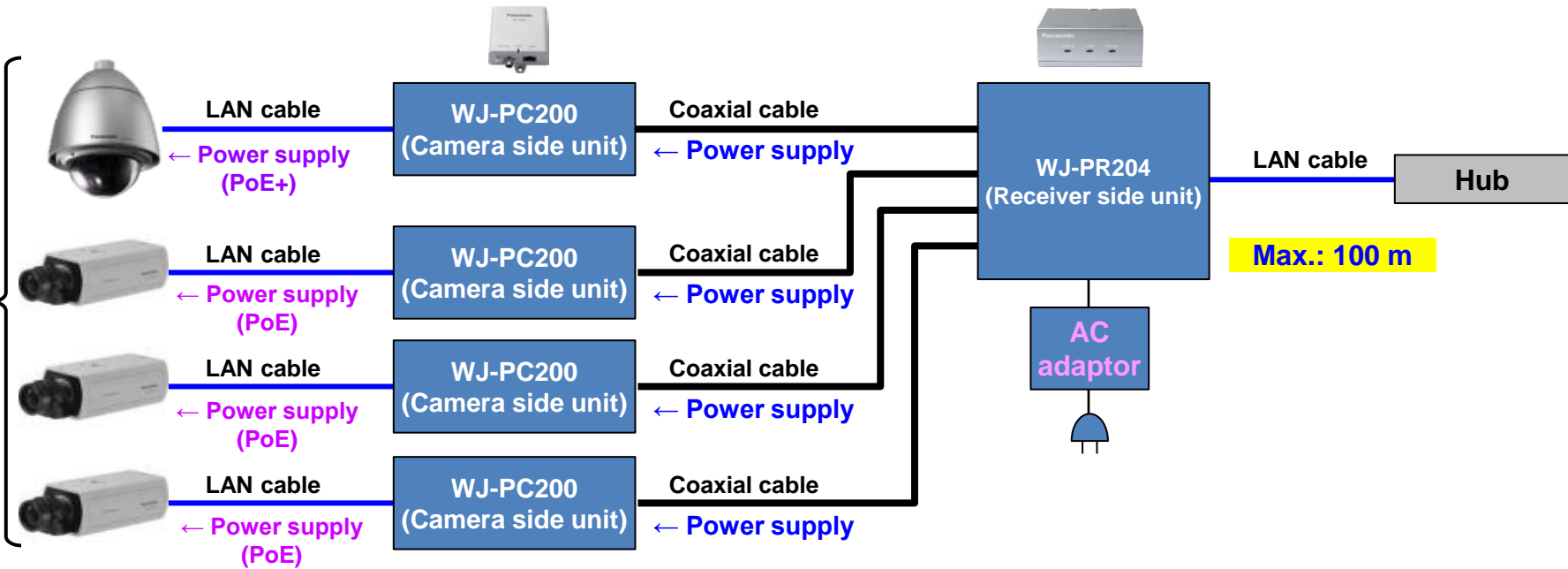
Compared with the patterns of 1-channel receiver, the length of the coaxial cable is shortened to one-fourth of its original length.

Connection Pattern: G (New Feature)

● [Pattern H] Receiver side unit: External power supply, Camera: PoE or PoE+ power supply

Camera power supply
PoE or PoE+

Number of receiver ch.	Receiver power supply
4-channel	AC adaptor



Camera power supply
Up to 40 W in total

PoE+ cameras: 50 m max.
PoE cameras: 100 m max.

Network camera recommended by Panasonic
 - PoE+ cameras: 300 m max.
 - PoE cameras: 500 m max.
 Network cameras other than the above
 - PoE+ cameras*1: 200 m max.
 - PoE cameras*2: 300 m max.

*1 When network cameras compliant with IEEE802.3at are used.
 *2 When network cameras compliant with IEEE802.3af are used.

Connection Pattern: H (New Feature)

● [Pattern G] Receiver side unit: PoE power supply, Camera: External power supply

Camera power supply
External power supply

Number of receiver ch.	Receiver power supply
4-channel	PoE power supply

