

Double image phenomenon on fixed dome cameras

June 1, 2021

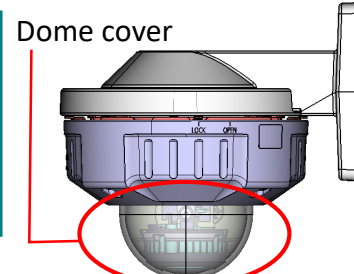
Panasonic i-PRO Sensing Solutions Co., Ltd.

Double image phenomenon on fixed dome cameras

A fixed dome camera may display a double image depending on the vertical (tilt) angle, due to the curvature of its dome cover. This phenomenon occurs when the camera direction is nearly horizontal.

Occurrence condition: when the vertical (TILT) angle is approx. **70 degrees or higher**. (C-B in the below figure)

Countermeasure: Adjust the vertical (TILT) angle to **lower than 70 degrees**. (B-A in the below figure)

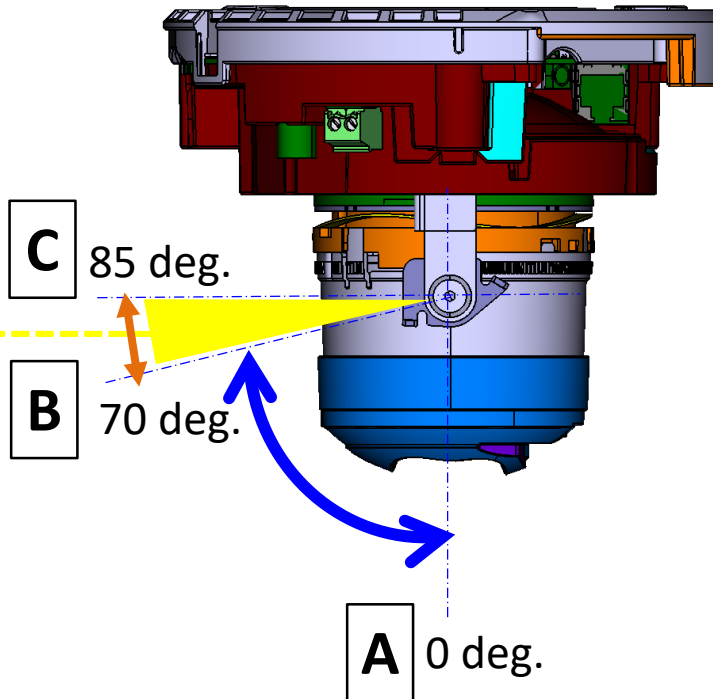


Range C-B

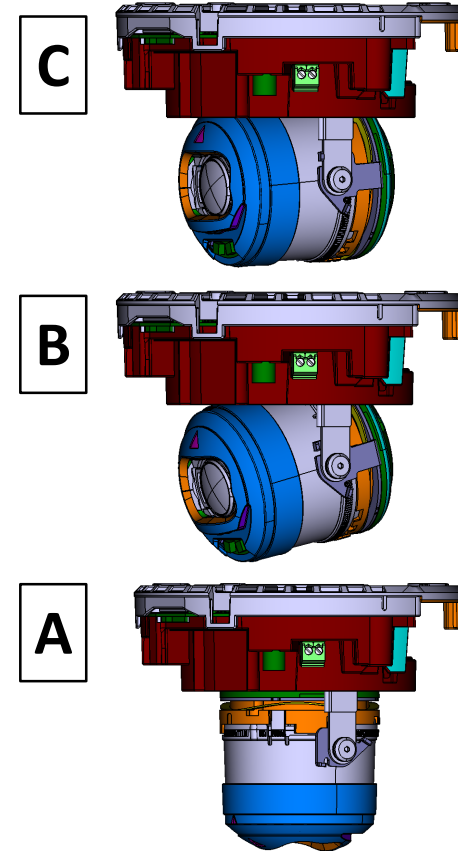
The camera shows a partial double image as below.



Range B-A



Position of camera lens



iii-PRO