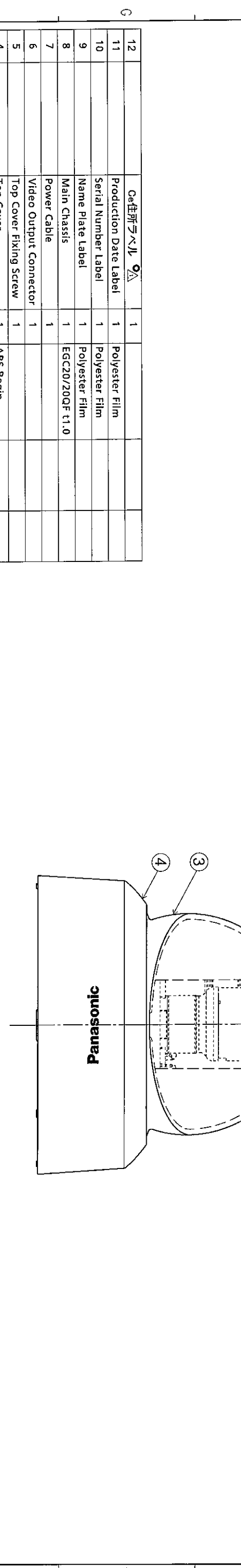
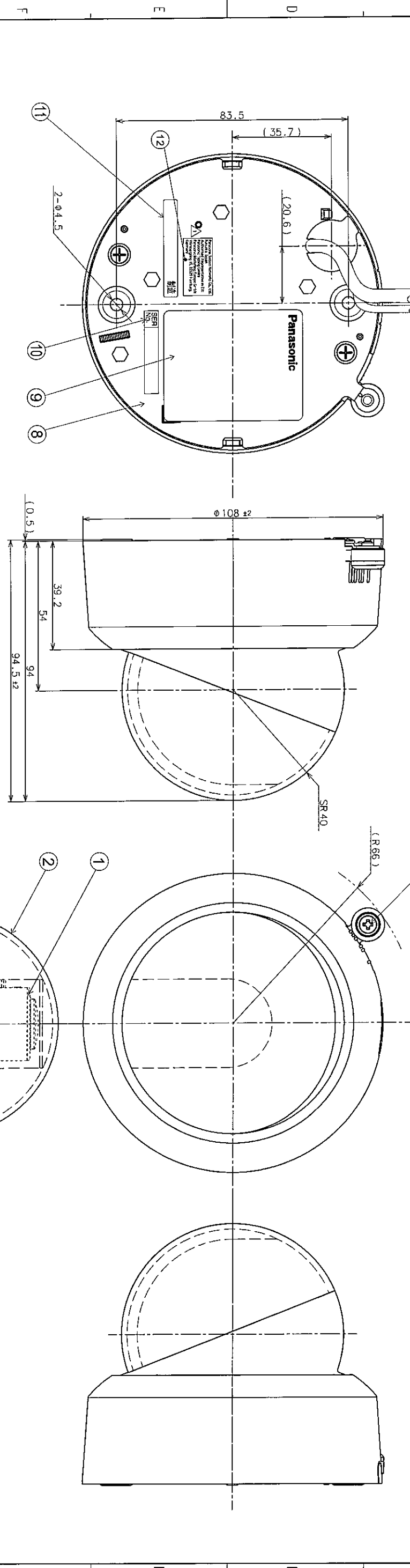
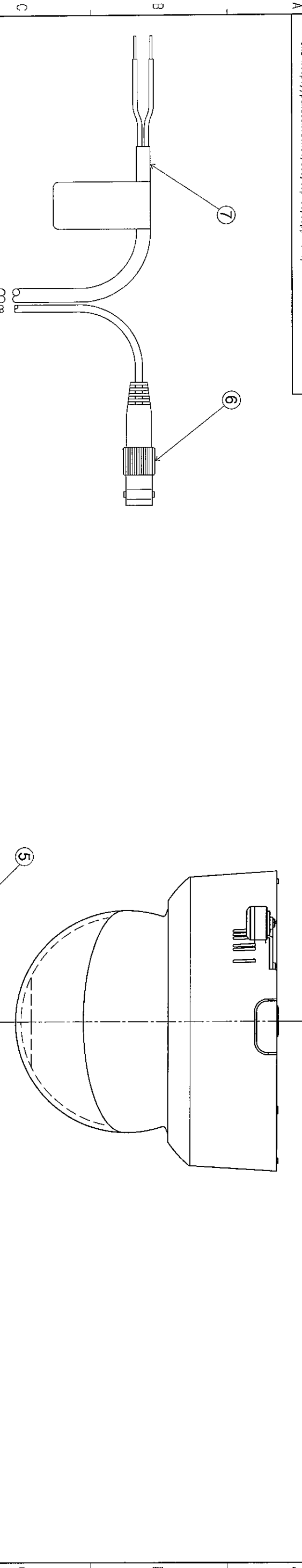


・付随資料として印刷物（図面）を交付いたします。
 URL: <http://panasonic.co.jp/eco/topics/suppliers/>
 ・Observe the Panasonic Group Chemical Substances Management Rank Guidelines
 latest version (for Products).
 URL: <http://panasonic.net/eco/topics/suppliers/>

SW.	DATE	REVISION	DRAWING	DATE
△ X2	20140421	追加C標簽	吉野	
△			吉野	
△			物	



SYM.	ITEM OR PARTS No.	NAME	QTY	MATERIAL&SIZE	TREATMENT	REMARK
	1	Lens	1			
	2	Dome Cover	1	PC Resin		
	3	Inner Dome	1	ABS Resin		
	4	Top Cover	1	ABS Resin		
	5	Top Cover Fixing Screw	1			
	6	Video Output Connector	1			
	7	Power Cable	1			
	8	Main Chassis	1	EGC20/20QF t1.0		
	9	Name Plate Label	1	Polyester Film		
	10	Serial Number Label	1	Polyester Film		
	11	Production Date Label	1	Polyester Film		
	12	名板新ラベル	1			

Unit: mm
 REMARK: Weight: 320g ± 20g
 SCALE: 1:1
 DESIGNED: [Signature]
 DRAWN: [Signature]
 CHECKED: [Signature]
 APPROVED: [Signature]
 MODEL: WV-CF704CH
 APPEARANCE: Page14th of 14th
 REF. NO.: ISSUE1-2
 1