

# HD Analog Camera User's Manual

Model No. CV-CFN103AL

**Version 1.0.0**

# Table of Contents

1	General Introduction .....	1
1.1	Overview .....	1
1.2	Features .....	1
1.3	Specifications .....	2
2	Device Framework .....	3
3	Installation.....	4
4	Menu.....	6
4.1	Settings .....	6
4.2	Menu Operation .....	6

## **Welcome**

Thank you for purchasing our HD analog camera!

This user's manual is designed to be a reference tool for your system.

Please read the following safeguard and warnings carefully before you use this series product!

Please keep this user's manual well for future reference!

# Important Safeguards and Warnings

## 1 . Electrical safety

All installation and operation here should conform to your local electrical safety codes.

Please check if the power supply is correct before operating the device.

The power shall conform to the requirement in the SELV (Safety Extra Low Voltage) and the Limited power source is rated DC 12V in the IEC60950-1. (Power supply requirement is subject to the device label).

Please install easy-to-use device for power off before installing wiring, which is for emergent power off when necessary.

Please prevent the line cord from being trampled or pressed, especially the plug, power socket and the junction from the device.

**Note: Do not connect these two power supplying sources to the device at the same time; it may result in device damage!**

We assume no liability or responsibility for all the fires or electrical shock caused by improper handling or installation.

We are not liable for any problems caused by unauthorized modification or attempted repair.

## 2 . Environment

Please don't aim the device at strong light (such as lighting, sunlight and so on) to focus; otherwise it may cause overexposure (It is not the device malfunction), which will affect the longevity of CMOS.

Please transport, use and store the device within the range of allowed humidity and temperature.

Please don't keep the device in a place which is wet, dusty, extremely hot, and extremely cold and with strong electromagnetic radiation or unstable lighting.

Please do not allow water and other liquid falling into the camera in case that the internal components are damaged.

Please do not allow rain or damp to the indoor device in case fire or lightning may occur.

Please keep the sound ventilation in case of heat accumulation.

Please pack the device with standard factory packaging or material with same quality when transporting the device.

Heavy stress, violent vibration or water splash are not allowed during transportation, storage and installation.

## 3 . Operation and Daily Maintenance

Please do not touch the heat dissipation component of the device directly in order to avoid scald.

Please do not dismantle the device; there is no component which can be fixed by users themselves in the machine. It may cause water leakage or bad image for the device due to unprofessional dismantling.

It is recommended to use the device with thunder proof device in order to improve thunder proof effect.

The grounding holes of the product are recommended to be grounded to further enhance the reliability of the camera.

Please shut down the device and then unplug the power cable before you begin daily maintenance work.

Do not touch the CMOS optic component directly. You can use the blower to clean the dust or dirt on the lens surface. Please use a dry cloth wetted by alcohol to wipe away the dust gently if it is necessary to clean.

Always use the dry soft cloth to clean the device. If there is too much dust, please use the water to dilute the mild detergent first and then use it to clean the device. Finally use the dry cloth to clean the device. Don't use volatile solvent like alcohol, benzene, thinner and etc or strong detergent with abrasiveness, otherwise it will damage the surface coating or reduce the working performance of the device.

Dome cover is an optical device, please don't touch or wipe cover surface directly during installation and use, please refer to the following methods to deal with once dirt is found:

Stained with dirt

Use oil-free soft brush or hair dries to remove it gently.

Stained with grease or fingerprint

Use soft cloth to wipe the water drop or oil gently to make it dry, then use oil-free cotton cloth or paper soaked with alcohol or detergent to wipe from the lens center to outward. It is ok to change the cloth and wipe several times if it is not clean enough.

Please put the dustproof cap to protect the CMOS component when you do not use the camera.

## **Warning**

Please use the standard accessories provided by manufacturer and make sure the device is installed and fixed by professional engineers.

Please prevent the device surface from the radiation of laser beam when using laser beam device.

Please do not provide two or more power supply modes for the device, otherwise it may cause damage to the device.

## **Statement**

Please refer to the actual product for more details; the manual is just for reference.

The manual will be regularly upgraded according to the product update; the upgraded content will be added in the manual without prior announcement.

Please contact the supplier or customer service if there is any problem occurred when using the device.

Please contact the customer service for the latest procedure and supplementary documentation.

There may be deviation between the actual value of some data and the value provided in the manual due to the reasons such as the real environment is not stable and so on. Please refer to the company's final explanation if there is any doubt or dispute.

The company is not liable for any loss caused by the operation which is not followed by the manual.

# 1 General Introduction

## 1.1 Overview

This series HD analog camera conforms to the HDCVI standard. It supports video signal high-speed long distance transmission without any delay. It can be controlled by the DVR conforming to the HDCVI.

## 1.2 Features

- High-performance CMOS image sensor.
- Support 720p@25fps (PAL)/ 30fps (NTSC)
- Support 75-5 coaxial cable transmission up to 800m.
- High speed & long distance real-time transmission.
- Support ICR for day time and night time operation.
- Support auto exposure, auto white balance, auto electronic shutter and auto gain function.
- Support DC12V power supply.

## 1.3 Specifications

Parameter	CV-CFN103AL
<b>Camera</b>	
Image Sensor	1/3" 1.0 Mega Pixels CMOS
Effective Pixels	1280 (H) x 720 (V)
Min Illumination	0.05Lux/ F2.0, 0Lux IR on
Electronic Shutter	PAL : 1/25s~1/100,000s NTSC: 1/30s~1/100,000s
Video Frame Rate*	PAL : 25fps NTSC: 30fps
Synchronization	Internal
Day & Night	Auto (ICR)/ Color/ B/W
Max IR Distance	20m
Digital Noise Reduction	2D
White Balance	Auto
AGC	Auto
BLC	Auto
<b>Lens</b>	
Focal Length	3.6 mm
Angular Field of View	H: 78° V: 42°
Lens Type	M12
<b>Input / Output</b>	
Video Output	1CH BNC HD-CVI video output
<b>General</b>	
Power	DC 12V±25%
Power Consumption	2.8W MAX
Working Temperature	-40°C~+60°C. Less than 90% RH (no condensation)
Dimensions	Φ85.0 mm × 69.0mm
Weight (approx.)	110g
External Case	Plastic

\*Refer to DVR spec sheet for recording frame rate limitation

## 2 Device Framework

Please refer to the following figures for dimension information. The unit is mm.

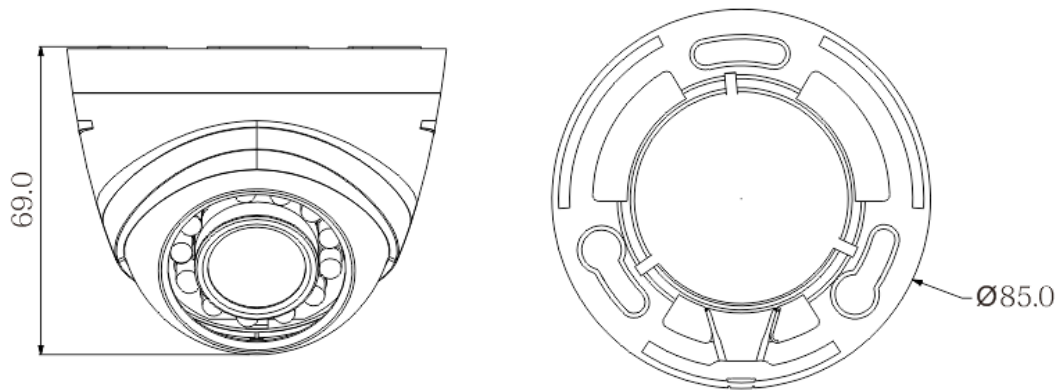


Figure 2-1

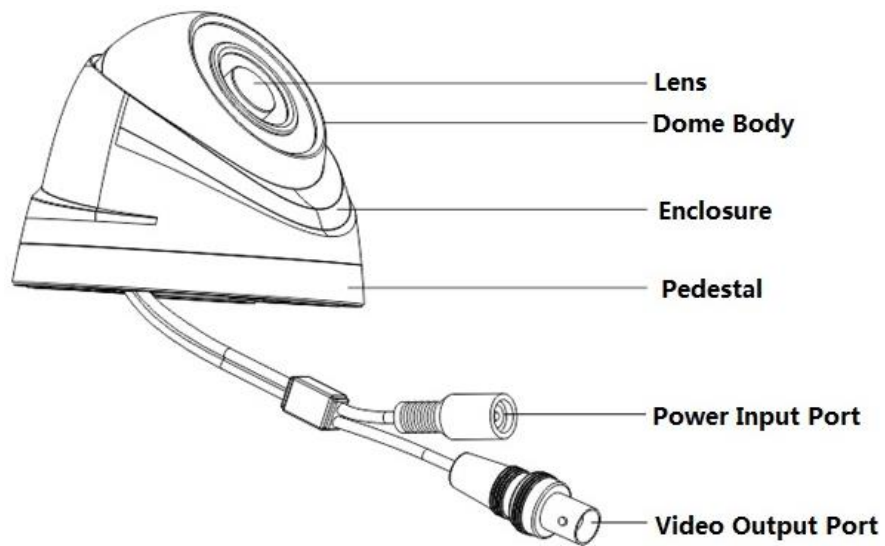


Figure 2-2



### 3 Installation

#### Important

- Before the installation, please make sure the installation surface can sustain at least 3X weight of the bracket and the camera.

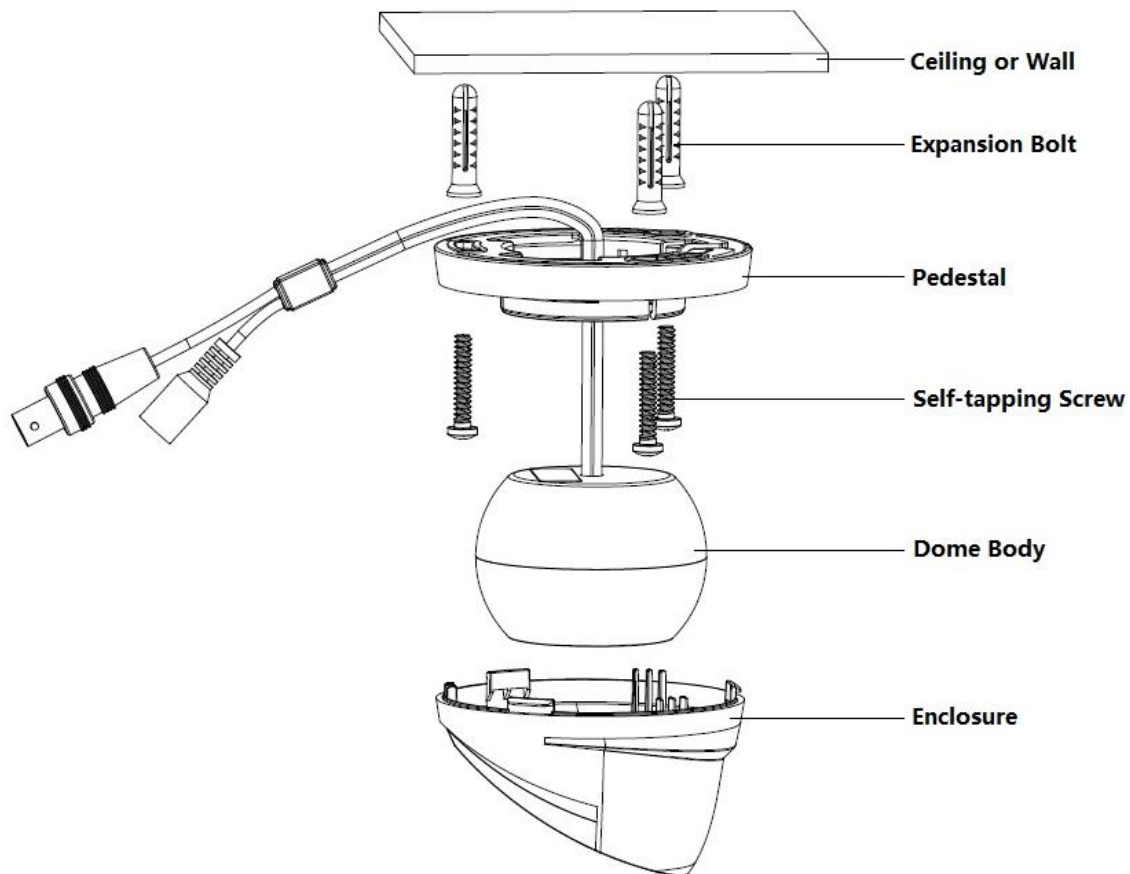


Figure 3-1

#### **Step 1**

Rotate the enclosure to align the arrow on the enclosure edge with the arrow on the pedestal edge; press inward according to the arrow location of the enclosure and meanwhile push outward according to the arrow location of the pedestal to separate the concave; pull the enclosure to make it break away from the pedestal.

#### **Step 2**

Confirm the installation location and dig holes on the installation surface.

#### **Step 3**

Use tools to insert expansion bolts into the installation holes and fix them firmly.

#### **Step 4**

- Adjust pedestal location (if it is side cable outlet, then pull the cable through the side outlet cable slot).
- Align the bolt fixing holes of the device pedestal with the expansion bolt fixing holes of the installation surface; insert the self-tapping screws into the expansion bolts and fasten them firmly to fix the pedestal on the installation surface (if it is top outlet, pull the cable through the outlet hole on the installation surface after the pedestal is fixed firmly).

**Step 5**

Make the enclosure buckle get stuck into the pedestal, rotate the enclosure and dome body to a proper monitoring location.

So far the device installation and cable connection are completed; you can check the image via back-end coding device.

## 4 Menu

This is only applicable for Philippines.

### 4.1 Settings

After connected the camera to the HDCVI series DVR, from MAIN MENU->GENERAL->PAN/TILT/ZOOM, you need to select the channel number for access and set control mode as HDCVI and the protocol as HD-CVI. Click "Save" button to save current setup. See Figure 4-1.



Figure 4-1

### 4.2 Menu Operation

Click the right mouse button and select "PAN/TILT/ZOOM", then you will see the "PAN/TILT/ZOOM" setup menu, which is as shown in Figure 4-2 and Figure 4-3.



Figure 4-2



Figure 4-3

See Sheet 4-1 for the details of button functions.

Button	Function
	Open menu
	Select menu item
	Select menu value

Sheet 4-1

If there is “←|”, click the “Confirm” button in “Menu Operation” interface to go to the 2nd menu. Click “Return” button to go back to the previous menu interface.

**Note**

- This manual is for reference only. Slight difference may be found in the user interface.
- All the designs and software here are subject to change without prior written notice.
- All trademarks and registered trademarks mentioned are the properties of their respective owners.
- If there is any uncertainty or controversy, please refer to the final explanation of us.
- Please visit our website or contact your local service engineer for more information.