

Panasonic

Getting Started

SIP Phone

KX-UT113/KX-UT123

Model No. KX-UT133/KX-UT136

Thank you for purchasing this Panasonic product.

Please read this manual carefully before using this product and save this manual for future use.

Note

- In this manual, the suffix of each model number (e.g., KX-UT113**NE**) is omitted unless necessary.

Outline

This manual briefly describes basic information about the installation of the unit.

Related Documentation

Operating Instructions

Describes information about the installation and operation of the unit.

Administrator Guide

Describes information about the programming and maintenance of the unit.

These manuals and supporting information are provided on the Panasonic Web site at:

<https://panasonic.net/cns/pcc/support/sipphone/>

Note

- If the unit is connected to a Panasonic KX-NS1000 PBX, refer to the documentation of the KX-NS1000 for information about the operation, programming, and maintenance of the unit.
For details, consult your dealer.

Other Information

Open Source Software Notice

Parts of this product use open source software. For details about the open source software, see the Operating Instructions.

Trademarks

- Plantronics is a trademark or registered trademark of Plantronics, Inc.

For Your Safety

To reduce the risk of injury, loss of life, electric shock, fire, malfunction, and damage to equipment or property, always observe the following safety precautions.

Explanation of symbols

The following symbols are used to classify and describe the level of hazard and injury caused when the denotation is disregarded and improper use is performed.



WARNING

Denotes a potential hazard that could result in serious injury or death.



CAUTION

Denotes a hazard that could result in minor injury or damage to the unit or other equipment.

The following symbols are used to classify and describe the type of instructions to be observed.



This symbol is used to alert users to a specific operating procedure that must not be performed.



This symbol is used to alert users to a specific operating procedure that must be followed in order to operate the unit safely.



WARNING

General Safety



Do not disassemble this unit. Dangerous electrical shock could result. The unit must only be disassembled and repaired by qualified service technicians.



Never attempt to insert wires, pins, etc. into the vents or other holes of this unit.



To prevent possible fire or electric shock, do not expose this unit to rain or moisture.

For Your Safety



Do not splash water on the AC adaptor and/or the AC adaptor cord, nor get them wet. Doing so can result in fire, electric shock, or injury. If they do get wet, immediately disconnect the AC adaptor and/or the AC adaptor cord, and contact an authorised service centre.



Do not connect or disconnect the AC adaptor and/or the AC adaptor cord with wet hands.



Do not touch the AC adaptor for extended periods of time. Doing so can lead to low-degree burns.

Unplug this unit from the AC outlet and have the unit serviced by qualified service personnel in the following cases:

- A.** When the power supply cord or plug is damaged or frayed.
- B.** If liquid has been spilled on the unit.
- C.** If the unit has been exposed to rain or water.
- D.** If the unit does not work normally by following the manual. Adjust only controls covered by the manual. Improper adjustment may require repair by an authorised service centre.
- E.** If the unit has been dropped, or damaged.
- F.** If the unit's performance deteriorates.



If damage to the unit exposes any internal parts, immediately disconnect the cable or cord. If the power is supplied from the network to the SIP Phone [Power-over-Ethernet], disconnect the Ethernet cables. Otherwise, disconnect the AC adaptor cord. Then return this unit to an authorised service centre.



This handset earpiece is magnetised and may retain small ferrous objects.



The use of excessive sound volume through earphones, headphones, or headsets may cause hearing loss.



Disconnect this unit from power outlet/the Ethernet cables if it emits smoke, an abnormal smell, or makes unusual noise. These conditions can cause fire or electric shock. Confirm that smoke has stopped and contact an authorised service centre.

Installation



Do not make power connections that exceed the ratings for the AC outlet or power equipment. If the power rating of a surge protector, etc. is exceeded, it can cause a fire due to heat buildup.



Do not bundle up the AC adaptor cord. The cord may become damaged, which can lead to a fire, electric shock, or electric short.



The unit should only be connected to a power supply of the type as shown on the label on the unit.



Completely insert the AC adaptor into the AC outlet. Failure to do so may cause electric shock and/or excessive heat resulting in a fire.

Placement



Care should be taken so that objects do not fall onto, and liquids are not spilled into, the unit. Do not subject this unit to excessive smoke, dust, moisture, mechanical vibration, shock, or direct sunlight.



Do not place heavy objects on top of this unit.



Place this unit on a flat surface.



Allow 10 cm clearance around the unit for proper ventilation.

Wall Mounting



Make sure that the wall that the unit will be attached to is strong enough to support the unit (approx. 1.09 kg). If not, it is necessary for the wall to be reinforced.



Only use the optional wall mount kit with the unit. The wall mount kit includes the necessary screws, washers, and wall mounting adaptor.



When driving the screws into the wall, be careful to avoid touching any metal laths, wire laths or metal plates in the wall.



When this unit is no longer in use, make sure to detach it from the wall.



Keep the unit away from heating appliances and devices that generate electrical noise, such as fluorescent lamps, motors and televisions. These noise sources can interfere with the performance of the unit. It also should not be placed in rooms where the temperature is less than 0 °C or greater than 40 °C.



Wipe the unit with a soft cloth. Do not clean the unit with abrasive powders or with chemical agents such as benzine or thinner.



The handset hook poses a choking hazard. Keep the handset hook out of reach of children.



When left unused for a long period of time, disconnect the unit from the AC outlet. When the unit receives power from a PoE power supply, disconnect the Ethernet cables.



When the unit is mounted on a wall, make sure the cables are securely fastened to the wall.

Notice

- If the unit does not operate properly, disconnect the AC adaptor cord and Ethernet cables and then connect again.
- If you are having problems making calls, disconnect the Ethernet cables and connect a known working SIP Phone. If the known working SIP Phone operates properly, have the defective SIP Phone repaired by an authorised service centre. If the known working SIP Phone does not operate properly, check the SIP server and the Ethernet cables.
- Under power failure conditions, the SIP Phone may not operate. Please ensure that a separate telephone, not dependent on local power, is available for use in remote sites in case of emergency.
- For information regarding network setup of the SIP Phone such as IP addresses, please see the Operating Instructions.
- If an error message is shown on your display, consult your phone system dealer or the network administrator.
- Use only the correct Panasonic handset.

Important Safety Instructions

When using this unit, basic safety precautions should always be followed to reduce the risk of fire, electric shock and injury to persons, including the following:

1. Do not use the unit near water, for example, near a bathtub, washbowl, kitchen sink, or laundry tub, in a wet basement, or near a swimming pool.
2. Avoid using a telephone (other than a cordless type) during an electrical storm. There may be a remote risk of electric shock from lightning.
3. Do not use the telephone to report a gas leak in the vicinity of the leak.

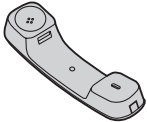
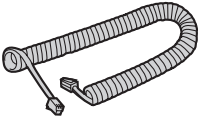
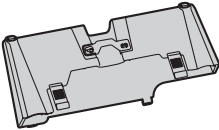
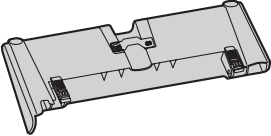
SAVE THESE INSTRUCTIONS



For information of Compliance with EU relevant Regulatory Directives,
Contact to Authorised Representative:
Panasonic Testing Centre
Panasonic Marketing Europe GmbH
Winsbergring 15, 22525 Hamburg, Germany

Accessory Information

Included Accessories

Handset (1)	Handset Cord (1)
	
Stand (1)	
<div style="display: flex; justify-content: space-around;"> <div data-bbox="174 529 505 559" style="text-align: center;"> <p>For KX-UT113/KX-UT123:</p>  </div> <div data-bbox="536 529 868 559" style="text-align: center;"> <p>For KX-UT133/KX-UT136:</p>  </div> </div>	

Note

- The illustrations may differ from the appearance of the actual product.

Optional Accessories

AC Adaptor*1*2	KX-A239AL (PQLV206AL)/KX-A239BX (PQLV206CE)/KX-A239UK (PQLV206E)/KX-A239X (PQLV206)/KX-A239EJ (PQLV206E)/KX-A420BR (PSLP1662)
Wall Mount Kit	KX-A432X (for KX-UT113/KX-UT123) KX-A433X (for KX-UT133/KX-UT136)

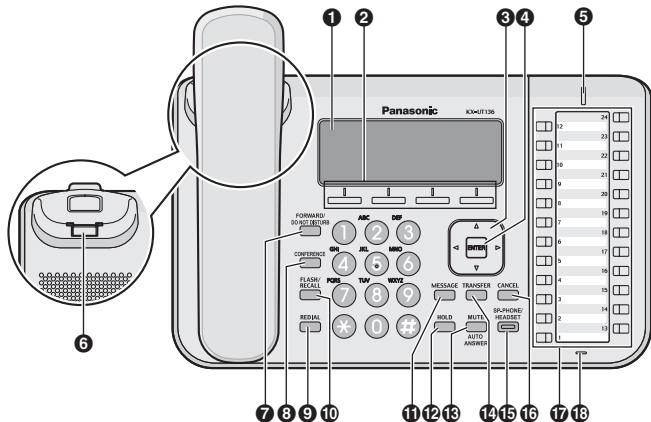
*1 To order an optional AC adaptor, please order using the "KX-A239xx/
KX-A420BR" model number (not "PQLV206xx/PSLP1662").

*2 For users in Argentina, power can only be supplied by PoE.

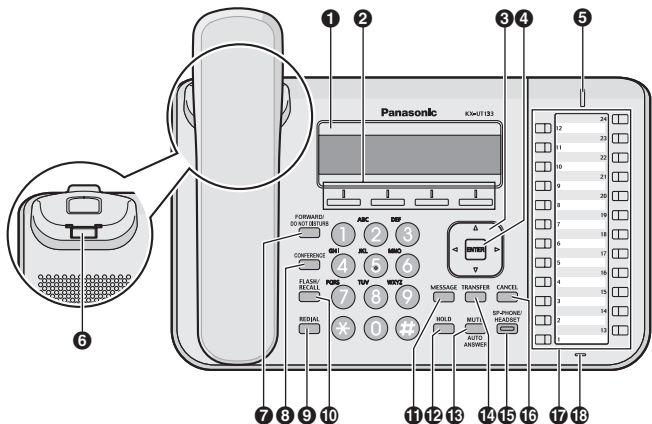
Location of Controls

Front View

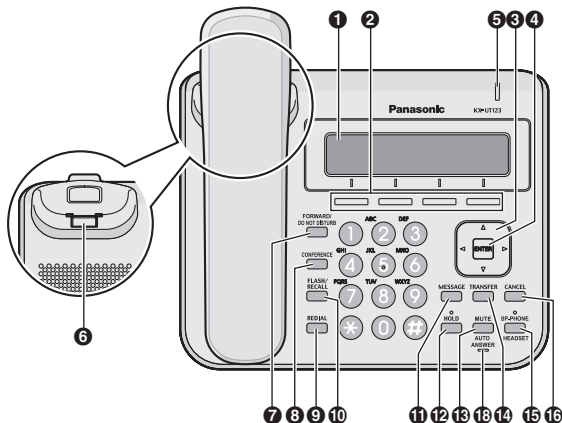
For KX-UT136:



For KX-UT133:



For KX-UT113/KX-UT123:

**1 LCD (Liquid Crystal Display)**

KX-UT136 is equipped with a 6-Line LCD.

KX-UT113/KX-UT123/KX-UT133 is equipped with a 3-Line LCD.

KX-UT123/KX-UT133/KX-UT136 is equipped with an LCD backlight.

2 Soft Buttons (S1 to S4)

S1 to S4 (located below the display) are used to select the item displayed on the bottom line of the display.

3 Navigator Key

Used to adjust the volume or select desired items.

4 ENTER

Used to assign the selected item.

5 Message/Ringer Lamp*1

When you receive a call or Hold Recall, the lamp flashes green.

When someone has left you a message, the lamp stays on red.

*1 If the unit is connected to a KX-NS1000 PBX, the Message/Ringer Lamp shows the current status as follows:

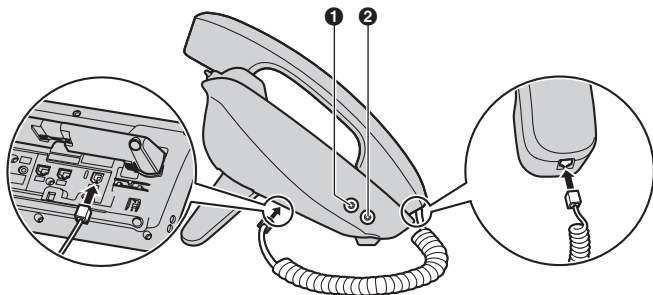
- Green flashing: You are receiving an intercom call, or you are receiving a Hold Recall or Transfer Recall from an extension.
- Red flashing: You are receiving an outside call, or you are receiving a Hold Recall or Transfer Recall from an outside line.
- Red on: You have a message.

Location of Controls

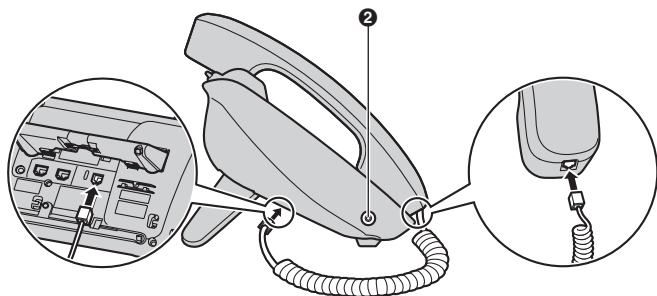
- 6 Handset Hook**
Keeps the handset stable when the unit is mounted on a wall.
- 7 FORWARD/DO NOT DISTURB**
Used to set Call Forwarding or Do Not Disturb on your extension.
- 8 CONFERENCE**
Used to establish a multiple party conversation.
- 9 REDIAL**
Used to redial the last dialled number.
- 10 FLASH/RECALL**
Used to disconnect the current call and make another call without hanging up.
- 11 MESSAGE**
Used to access your voice mailbox.
- 12 HOLD**
Used to put a call on hold.
When a call is on hold, the Hold lamp (KX-UT113/KX-UT123 only) flashes red.
- 13 MUTE/AUTO ANSWER**
Used to receive an incoming call in hands-free mode or mute the microphone/handset during a conversation.
- 14 TRANSFER**
Used to transfer a call to another party.
- 15 SP-PHONE (Speakerphone)/HEADSET**
Used for performing hands-free operations. When the SP-PHONE is used, the lamp on the SP-PHONE (KX-UT133/KX-UT136 only) or the lamp above the SP-PHONE (KX-UT113/KX-UT123 only) turns red.
When muted, the lamp flashes red.
- 16 CANCEL**
Used to cancel the selected item.
- 17 Flexible Buttons/Flexible Button Lamps (KX-UT133/KX-UT136 only)**
Used to make or receive calls, or perform the feature that has been assigned to the button. The flexible button lamp shows the status of each flexible button.
- 18 MIC**
Used for hands-free conversation.

Left Side View

For KX-UT133/KX-UT136:



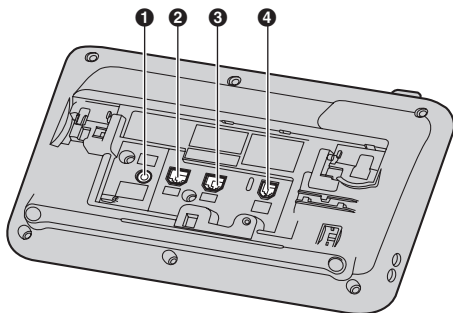
For KX-UT113/KX-UT123:



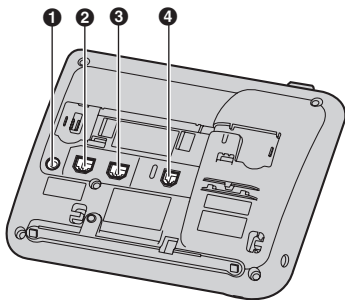
- ❶ Electric Hook Switch (EHS) Jack (KX-UT133/KX-UT136 only)
- ❷ Headset Jack

Bottom View

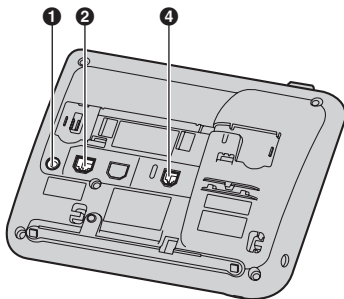
For KX-UT133/KX-UT136:



For KX-UT123:



For KX-UT113:



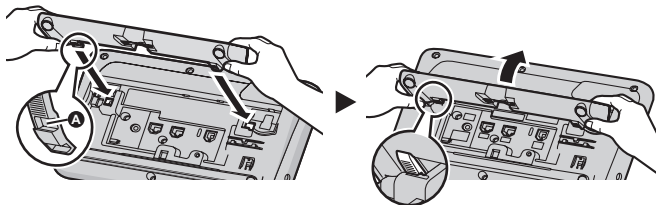
- ❶ DC Jack
- ❷ LAN Port
- ❸ PC Port (KX-UT123/KX-UT133/KX-UT136 only)
- ❹ Handset Jack

Attaching/Removing the Stand

Attaching the Stand

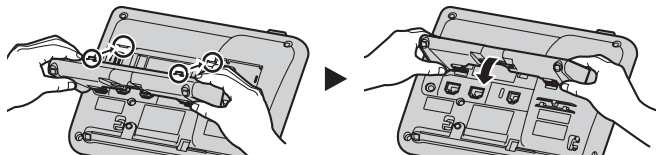
For KX-UT133/KX-UT136:

1. Insert the catches (A) of the stand into the hooks located in the unit.
2. Gently push the stand in the direction indicated until it locks into place. The stand will be mounted in the high position.



For KX-UT113/KX-UT123:

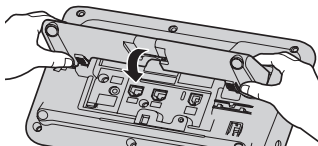
1. Insert the catches of the stand into the hooks located in the unit.
2. Gently push the stand in the direction indicated until it locks into place. The stand will be mounted.



Removing the Stand

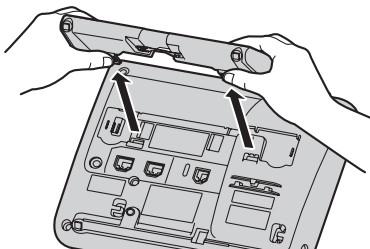
For KX-UT133/KX-UT136:

1. Hold the stand with both hands.
2. Gently rotate the stand in the direction indicated until it is released.



For KX-UT113/KX-UT123:

1. Remove the stand in the direction indicated while pushing the catches of the stand with both hands as shown.



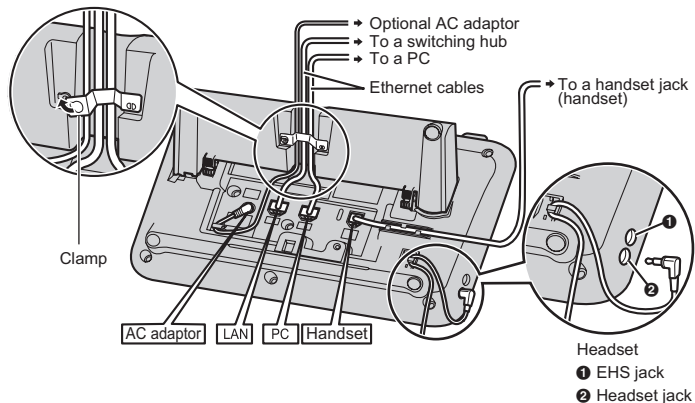
Connections

Notice

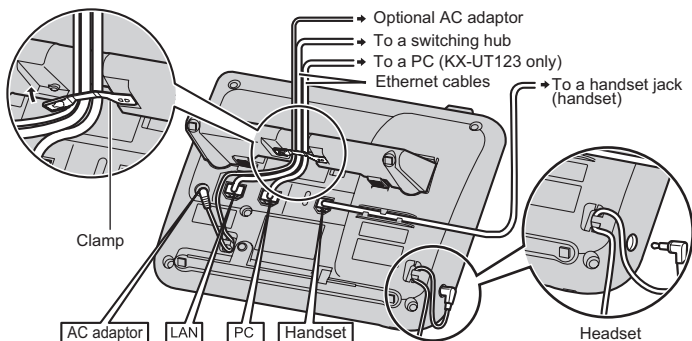
Panasonic assumes no responsibility for injuries or property damage resulting from failures arising out of improper installation or operation inconsistent with this documentation.

Connections for AC Adaptor/LAN/PC

For KX-UT133/KX-UT136:



For KX-UT113/KX-UT123:

**CAUTION****Optional AC Adaptor**

- Use the following Panasonic AC adaptor:
KX-A239AL (PQLV206AL)/KX-A239BX (PQLV206CE)/KX-A239UK (PQLV206E)/KX-A239X (PQLV206)/KX-A239EJ (PQLV206E)/KX-A420BR (PSLP1662)
- The AC adaptor is used as the main disconnect device. Ensure that the AC outlet is installed near the unit and is easily accessible.

When connecting a headset

- Ensure that the headset cord has slack and is not pulled tight during use to prevent damage to the connectors.
- Cords used to connect devices to the EHS jack or headset jack must be less than 3 m in length.

Notice

- The following headsets can be used with this unit. (Not all operations with the headsets can be guaranteed.)
 - Wired headsets
Panasonic KX-TCA400, KX-TCA430, RP-TCA400, and RP-TCA430
 - EHS headsets (KX-UT133/KX-UT136 only)
Selected Plantronics®-brand headsets

For up-to-date information about headsets that have been tested with this unit, refer to the following web sites:

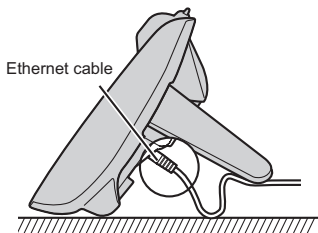
<https://panasonic.net/cns/pcc/support/sipphone/>

Connections

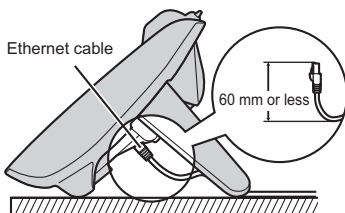
When selecting Ethernet cables (not included)

- Use flexible, high-quality, snagless (without strain relief) cables. Do not use cables with coating that may tear or crack when bent. To prevent damage to the cables, use cables that do not protrude from the bottom of the base. Connect the cables as shown in the following illustration.

Incorrect



Correct



- Use a straight CAT 5 (or higher) Ethernet cable (not included) that is 6.5 mm in diameter or less.

When connecting to a switching hub

- If PoE is available, an AC adaptor is not needed.
- This unit complies with the PoE Class 2 standard.

When connecting a PC

- Only a PC can be connected to the PC port. Other SIP phones, or network devices such as routers or switching hubs, cannot be connected.
- The PC port does not support PoE for connected devices.

When connecting cables and the AC adaptor

- Ensure that the Ethernet cables and the AC adaptor cord are clamped to prevent damage to the connectors.